

# UP0501Q-( )P/( )T SERIES

## 50 Watt AC/DC Adapter

- Universal Input 90 to 264 VAC
- Conductive EMI Meets FCC/CISPR 22 Class B
- Design to Meets UL, CSA, TUV Safety Standards

---

### SPECIFICATIONS

All specifications are typical at nominal line, full load and 25°C unless otherwise noted.

Input Voltage Range ..... 90-264VAC  
Input Frequency ..... 47-63 Hz  
Inrush Current ..... No component damage

### GENERAL SPECIFICATIONS

Hold-up Time ..... 10mS typ.  
Leakage Current ..... 0.25mA  
Short Circuit Protection ..... Continuous  
Overvoltage Protection ..... Optional  
Overload Protection ..... 120~200% of rated value  
Efficiency ..... 83% typ.  
Hi-pot Isolation: Input/Output ..... 4242 VDC

### ENVIRONMENTAL SPECIFICATIONS

Operating Temperature Range ..... 0°C to 50°C  
Derating 40°C to 50°C ..... 2%/°C  
Temperature Coefficient ..... ±0.02%/°C  
Storage Temperature Range ..... -40°C to +85°C  
Humidity, Non-Condensing ..... 0 to 95% RH  
Cooling ..... Free- Air Convection  
EMI(EMI Filter on Board):  
Conducted ..... Meets FCC/CISPR 22 Class B  
Specification

### INPUT SPECIFICATIONS

## OUTPUT SPECIFICATIONS

Model Number	Output Voltage (Volts)	Output Current (Amps)		Ripple <sup>1</sup> P-P (mV)	Total Regulation <sup>2</sup>
		Min.	Rated		
UP0501Q-12P/12T	12	0	4.16	120	±4%
UP0501Q-15P/15T	15	0	3.33	150	±4%
UP0501Q-16P/16T	16	0	3.13	160	±4%
UP0501Q-18P/18T	18	0	2.78	180	±4%
UP0501Q-19P/19T	19	0	2.63	190	±4%
UP0501Q-22P/22T	22	0	2.27	220	±4%
UP0501Q-24P/24T	24	0	2.08	240	±4%

### NOTES

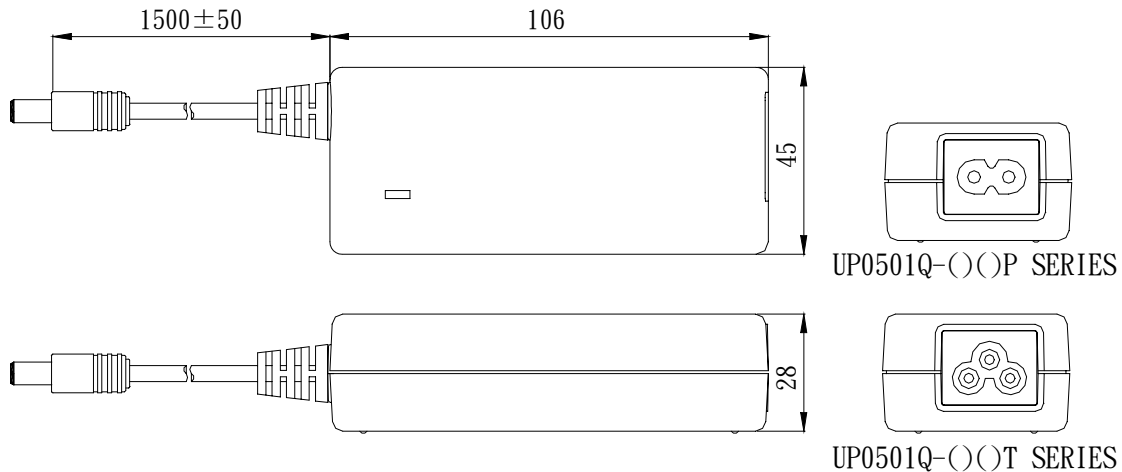
1. Add a 0.1uF ceramic capacitor and a 10uF E.L. capacitor to the output cable. Peak to peak and RMS metering equipment shall have a 20 MHz response with probes and cables maintaining frequency response from 200 Hz to 100MHz bandwidth. Output ripple and spikes are measured directly at the output terminals of the power supply without the use of the probe ground clip.
2. Total regulation is defined as the static output regulation at 25°C, including initial tolerance, line voltage within stated limits.
3. Replace input line fuse with same type & rating. Recommended 2A/250 VAC time lag fuse.

## PHYSICAL SPECIFICATIONS

**COLOR BLACK**

Weight: 250g

Case Material: PC+ABS Plastic UL94V-0 Flammability Rated



## DC plug & pin assignment (CUSTOM DESIGN IS AVAILABLE)

### IN 2.5/OUT5.5 DC PLUG FEMALE

#### NOTES:

1. All dimensions in mm.
2. Tolerance(except cable length): ±1